



Features

- Switching capacity up to 30A
- Small size and light weight
- Suitable for automobile and lamp accessories



Contact Data*

Contact Arrangement	1A = SPST N.O.	Maximum Switching Power	280W
Contact Rating	20A @ 14VDC N.O. 30A @ 14VDC N.O.	Maximum Switching Voltage	75VDC
Contact Resistance	≤ 50 milliohms initial	Maximum Switching Current	30A
Contact Material	AgSnO ₂		

Coil Data*

Coil Voltage VDC		Coil Resistance Ω +/- 10%	Pick Up Voltage VDC (max)	Release Voltage VDC (min)	Coil Power W	Operate Time ms	Release Time ms
Rated	Max	.96W	70% of rated voltage	10% of rated voltage	0.96	≤10	≤5
12	15.6	150	9.0	1.2			
24	31.2	600	18.0	2.4			

General Data*

Electrical Life @ rated load	100K cycles, average
Mechanical Life	10M cycles, average
Insulation Resistance	100M Ω min. @ 500VDC initial
Dielectric Strength	Coil to Contact 750V rms min. @ sea level initial Contact to Contact 5000V rms min. @ sea level initial
Shock Resistance	98m/s ² for 11 ms
Vibration Resistance	1.5mm double amplitude 10~55Hz
Operating Temperature	-40°C to +125°C
Storage Temperature	-40°C to +125°C
Solderability	260°C for 5 s
Weight	13g

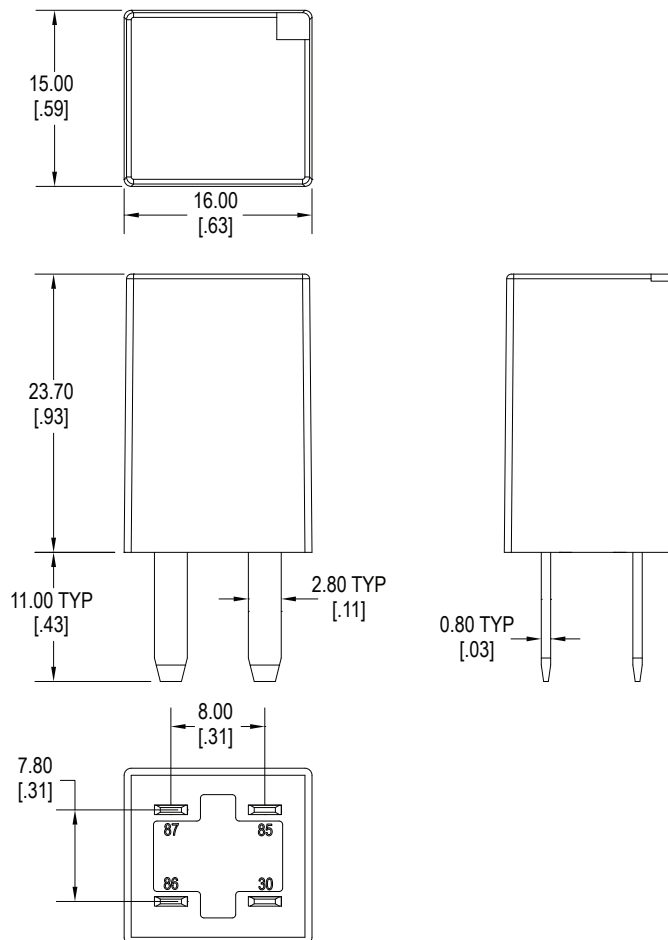
* Values can change due to the switching frequency, desired reliability levels, environmental conditions and in-rush load levels. It is recommended to test actual load conditions for the application. It is the user's responsibility to determine the performance suitability for their specific application. The use of any coil voltage less than the rated coil voltage may compromise the operation of the relay.

Ordering Information

1. Series	A17	1A	S	12VDC	.96
A17					
2. Contact Arrangement	1A = SPST N.O. (20A contacts) 1AH - SPST N.O. (30A contacts)				
3. Sealing Option	S = Sealed				
4. Coil Voltage	12VDC 24VDC				
5. Coil Power	.96 = .96W				
5. Coil Suppression	Blank = Standard R = Resistor (1100 for 12VDC, 4300 for 24VDC) D = Diode (IN4007) Cathode on "86" terminal				

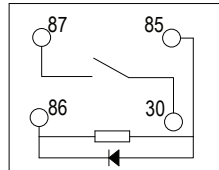
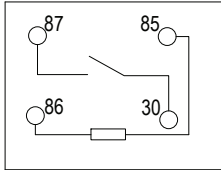
Dimensions

Units = mm

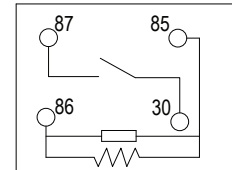


Schematics

Bottom Views



with Diode



with Resistor

PC Layout

Bottom View

